



**INVELCO S.A.**  
INVESTIGACIONES ELECTRONICAS Y COMUNICACIONES

---

CONTROL OF 1 TRANSMITTER  
AND 1 RECEIVER AND  
ACCESORIES EQUIPMENTS  
FROM A DISTANCE.

---

RS-232-C CONTROL BUS  
THROUGH TELEPHONE LINE  
MODEM.

---



---

## MANAGING AND CONTROL OF TRANSMITTERS AND RECEIVERS MODEL TL-500-A

---

The managing and control of several Transmitter and Receiver Units is done through a software program executed in a PC. This program offers the possibility, through its configuration, of governing at the same time 1 independent Transmitter unit and 1 independent Receiver unit. It shows different screens with the states and controls necessary for the complete governing of such units.

### IMPORTANT SPECIFICATIONS :

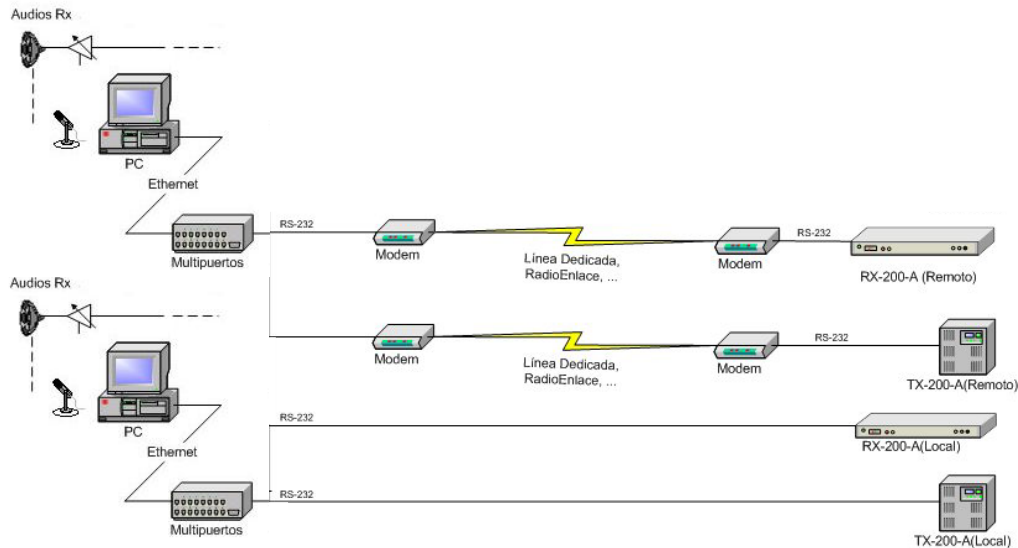
- Can configurate 1 Transmitter and 1 Receiver independently.
- Memorizes up to 255 channels per each Transmitter.
- Memorizes up to 255 channels per each Receiver.
- Indicators of State, Frequency, Channel and Communications.
- Independent events register.
- Complete control of all the Transmitters functions.
- Complete control of all the Receivers functions.



## MANAGING AND CONTROL OF THE TRANSMITTER AND RECEIVER UNIT

### MOD.TL-500-A

#### DIFFERENT CONFIGURATION MODES:



Note: For any other configuration, confer the manufacturer.

#### SOFTWARE CHARACTERISTICS:

##### FOR TRANSMITTER UNIT.

- State, Frequency, Operating channel and Communications indicators.
- Measurements Control: Line, Rf Exciter, Tx Incident power, Exciter reflected power.
- Input Control: Microphone, Line, Data, Keyer, I/Q Data.
- Mode control: USB, LSB, H3E, A1A
- RF mute control, PTT, Tune, Rf test.
- Memorizes up to 255 per equipment.
- Events register per equipment.
- Auxiliary functions: Quit, Power supply, Linear Amplifier Bypass, Amplifier reset.

##### FOR RECEIVER EQUIPMENT.

- State, Frequency, Operating channel and Communications indicator.
- Mute Control of RF, Rf Gain, Rf A.G.C. Filters, Squelch, A.G.C. and Squelch level in  $\mu V$ , Tune, Mode, Audio filter, Scan and Scan of preferred channels.
- Memorizes up to 255 per equipment.
- Events register per equipment.
- Auxiliary functions.

##### REQUIREMENTS.

- PC Pentium III or superior, CD-ROM reader, Keyboard and mouse.
- 256Mb. RAM (recommendable).
- Operating System Windows 2000 (SP2), NT. 4.0 (SP5).
- Screen Definition 1024 x 768
- Extension System of Serial Ports for the PC, if necessary.